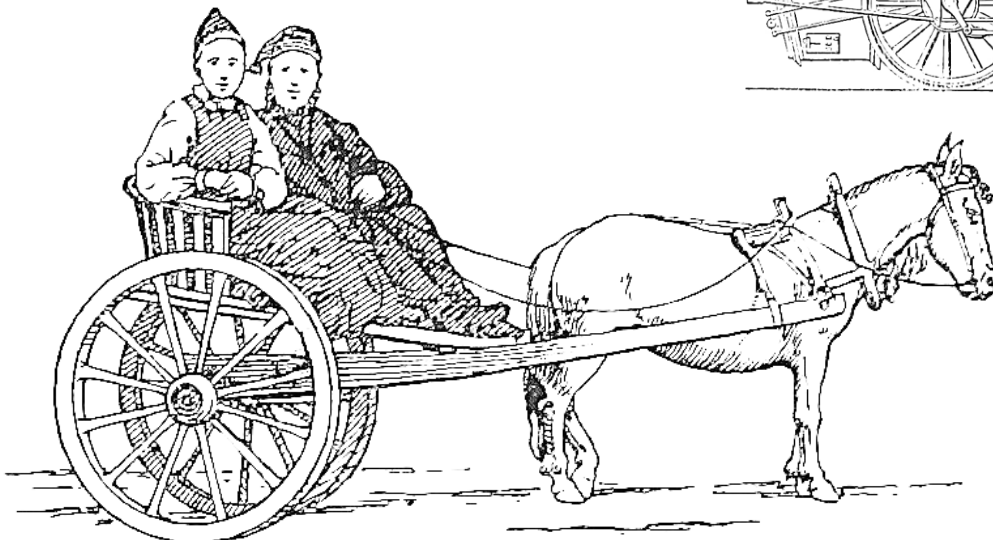
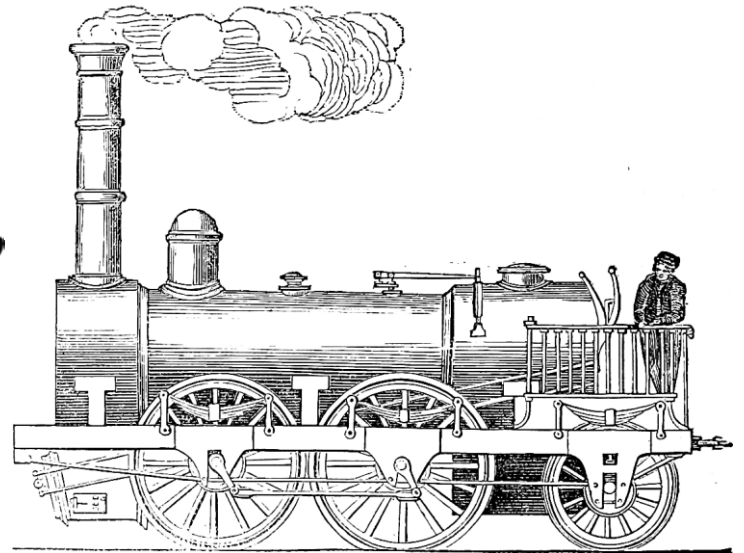
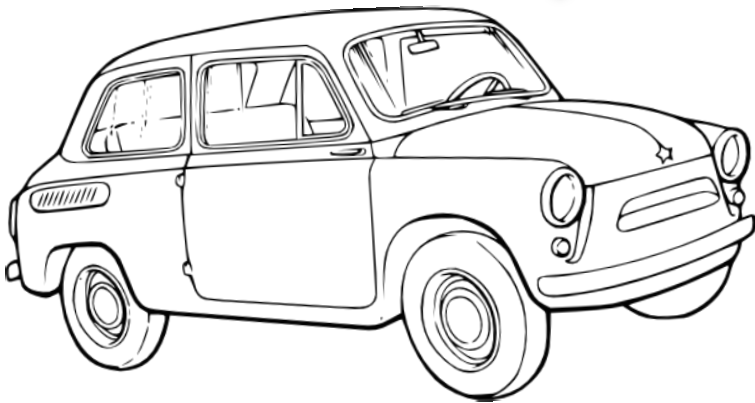
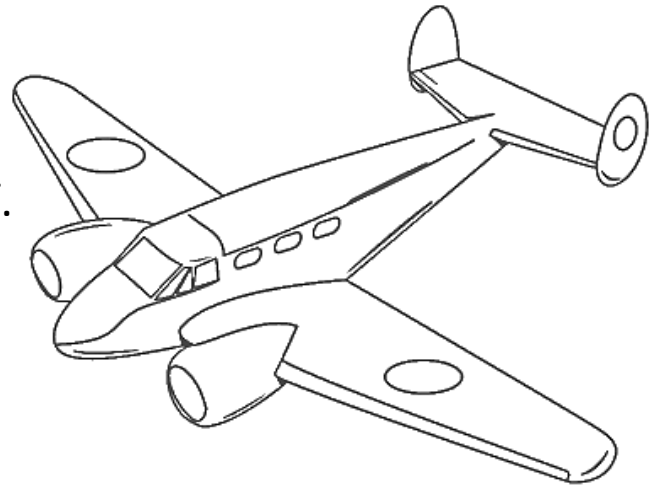


## Ffyrdd o Deithio

Lliwich y cerbydau.

Gwnewch linell amser gan ddefnyddio rhifau i ddweud pa gerbyd sy'n dod gyntaf.

Allwch chi ddod o hyd i'r rhain yn yr arddangosfa neu'r amgueddfa? Gallant fod yn ffotograffau, paentiadau, teganau neu fodelau.



Name: .....

Ages 4-7

## Ways to Travel

Colour in the vehicles.

Which of these vehicles came first?

Make a timeline by using numbers.

Can you find these in the exhibition or in the museum?

They might be photographs, paintings, toys or models.

